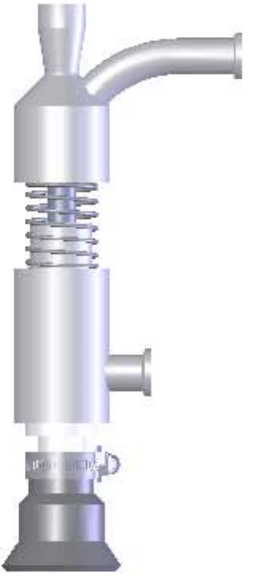
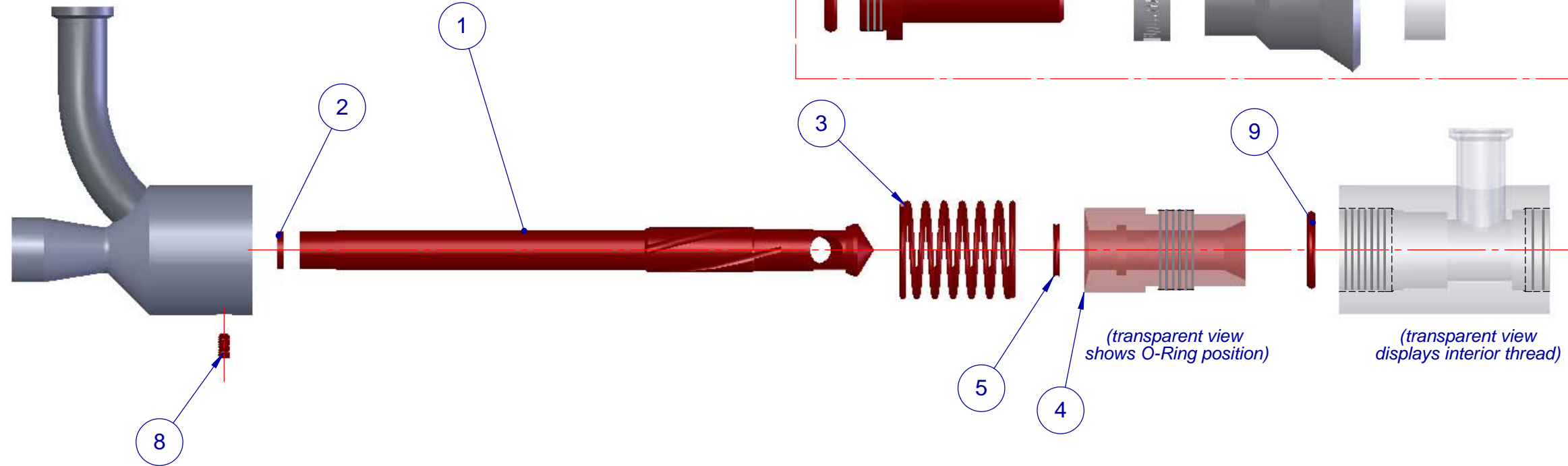

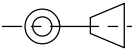


ITEM NO.	PART NUMBER	DESCRIPTION	SEAL KIT/QTY.
1	A20592	Inner Tube, O-Ringless, 1 Piece, ϕ 5/8"	1
2	A20586	Washer, Inner Tube	1
3	A14004	Spring, Filling Tube	1
4	A18785	Tube Bushing, ϕ 5/8" I.D. Dual Quad	1
5	A18720	Multi-Seal, 5/8" I.D.	1
6	A20366	Outer Tube, 1" O.D.	1
7	A15752	O-Ring, 7/8" I.D.	1
8	A18615	10-32 x 3/8" Lg SS Set Screw, Brass Tip	1
9	A90543	Viton O-Ring ϕ 0.921" X ϕ 1.199" X 0.139" Thick	1

NOTE
ONLY THE PARTS LISTED ABOVE ARE SUPPLIED IN THE KIT. EXPLODED DIAGRAM, SHOWN FOR REFERENCE ONLY, REFLECTS ASSEMBLY LOCATIONS OF PARTS LIST ABOVE.



RECEIPT OR POSSESSION OF THIS DOCUMENT CONSTITUTES ACKNOWLEDGEMENT OF THE PROPRIETARY RIGHTS OF US BOTTLERS. NO RIGHT IS CONVEYED TO REPRODUCE, DISCLOSE ITS CONTENTS OR TO MANUFACTURE, USE OR SELL ANYTHING IT MAY DESCRIBE WITHOUT SPECIFIC AUTHORIZATION. Copyright © US Bottlers Machinery Co. All Rights Reserved.	TOLERANCES INCH FRACTION \pm 1/64" DECIMAL \pm 0.005" ANGLE \pm 0° 30 MIN	CHECKED BY: SEB DATE: 1/10/08 DESIGNER: SEB DATE: 1/10/08 DETAILER: DK DATE: 1/10/08	 U.S. Bottlers Machinery Company 11911 Steele Creek Road P. O. Box 7203 Charlotte, NC, USA 28273 Phone (704) 588-4750 • Fax (704) 588-3808
	DO NOT SCALE DRAWING	MATERIAL: --	
	DEBURR ALL SHARP EDGES UNLESS OTHERWISE SPECIFIED	FINISH: N/A	
	NEXT ASSEMBLY PART# N/A	WEIGHT: 4.637	
REF: -- 080892S2		MAJOR REBUILD KIT 5/8" SANITARY JUICE VALVE Next Assembly: N/A	
 THIRD ANGLE PROJECTION		SCALE: 1:1	DRAWING NO.: B12414 SIZE: B REV: -