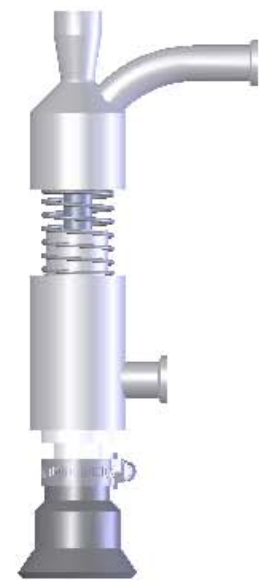
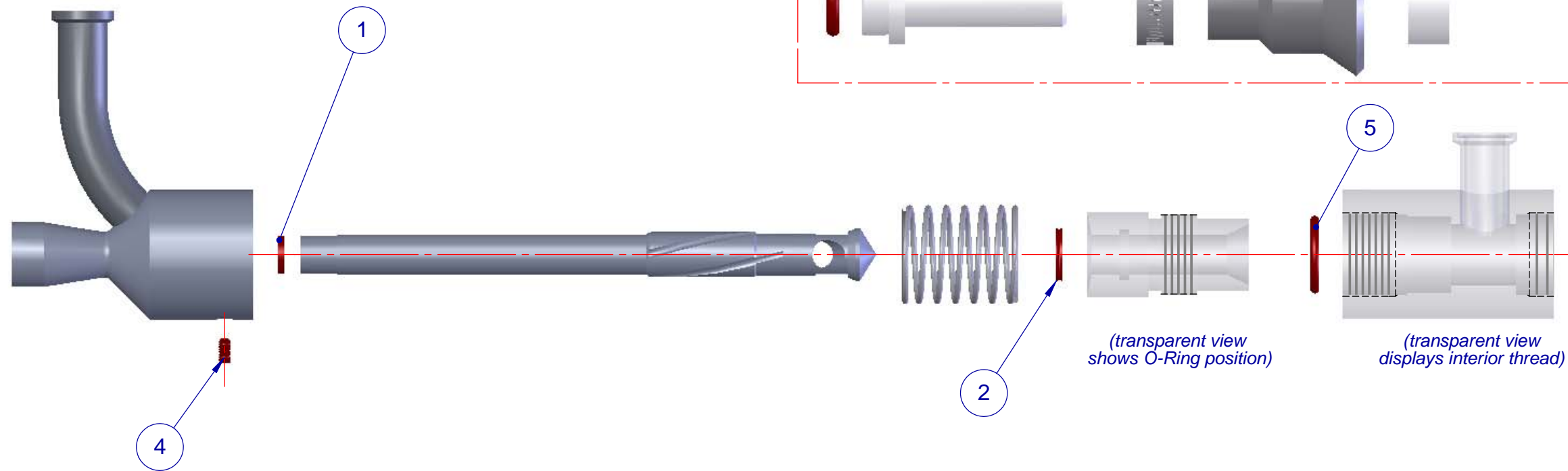


ITEM NO.	PART NUMBER	DESCRIPTION	QTY
1	A20586	Washer, Inner Tube	1
2	A18720	Multi-Seal, 5/8" I.D.	1
3	A15752	O-Ring, 7/8" I.D.	1
4	A18615	10-32 x 3/8" Lg SS Set Screw, Brass Tip	1
5	A90543	Viton O-Ring $\phi$ 0.921" X $\phi$ 1.199" X 0.139" Thick	1

**NOTE**  
**ONLY THE PARTS LISTED ABOVE ARE SUPPLIED IN THE KIT. EXPLODED DIAGRAM, SHOWN FOR REFERENCE ONLY, REFLECTS ASSEMBLY LOCATIONS OF PARTS LIST ABOVE.**



RECEIPT OR POSSESSION OF THIS DOCUMENT CONSTITUTES ACKNOWLEDGEMENT OF THE PROPRIETARY RIGHTS OF US BOTTLERS. NO RIGHT IS CONVEYED TO REPRODUCE, DISCLOSE ITS CONTENTS OR TO MANUFACTURE, USE OR SELL ANYTHING IT MAY DESCRIBE WITHOUT SPECIFIC AUTHORIZATION.  
 Copyright © US Bottlers Machinery Co. All Rights Reserved

<b>TOLERANCES</b>	INCH	CHECKED BY	DATE
	FRACTION $\pm$ 1/64"	DESIGNER	DATE
	DECIMAL $\pm$ 0.005"	<b>SEB</b>	<b>1/10/08</b>
	ANGLE $\pm$ 0° 30 MIN	DETAILER	DATE
	<b>DO NOT SCALE DRAWING</b>	<b>DK</b>	<b>1/10/08</b>
<b>DEBURR ALL SHARP EDGES UNLESS OTHERWISE SPECIFIED</b>	MATERIAL	--	
NEXT ASSEMBLY PART#	FINISH	<b>N/A</b>	
<b>N/A</b>	WEIGHT:	<b>4.637</b>	

DESCRIPTION	<b>SEAL KIT</b>
	<b>5/8" SANITARY JUICE VALVE</b>
Next Assembly: N/A	Sheet 1 of 1
SCALE	DRAWING NO.
<b>1:1</b>	<b>B12413</b>
SIZE	REV
<b>B</b>	<b>-</b>

**U.S. Bottlers Machinery Company**  
 11911 Steele Creek Road  
 P. O. Box 7203  
 Charlotte, NC, USA 28273  
 Phone (704) 588-4750 • Fax (704) 588-3808

REF: -- 080892S2

